

Designed for Small Rigid Containers

G30 System



The Sapphire G30 is designed specifically for small rigid containers such as glass jars and cans.

The G30 combines a side shoot and downshoot inspection to give unparalleled levels of detection. Ideal for containers of near equal width and height, the G30 is also an ideal system if multiple product geometries are carried on a single line.

Sapphire's G30 incorporates dual linear array technology, unrivalled for its sensitivity, speed and sophistication. This dual detector technology ensures that even very thin materials, such as a thin glass shard within a thick glass container, are detected.

Superior Performance

- Dual detection technology to check for glass shards in glass containers.
- Contaminant detection (metal, stone, glass, bone and certain plastics).
- Confirms fill levels.
- Automatic set-up.
- Confirms fill levels and container integrity.
- Designed for washdown environments for easy dismantle and cleaning.



Key Features

Designed to fit onto existing conveyor or conveyor can be included.

Inspects small jars and cans.

Horizontal and vertical inspection to detect the thinnest glass shards.

Quick and easy wash down

Easy user interface and controls

24-hour worldwide system support

Sapphire Inspection Systems

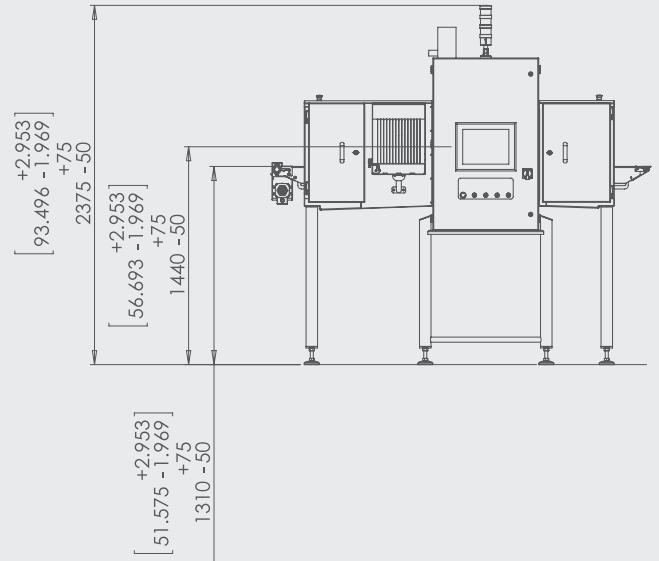
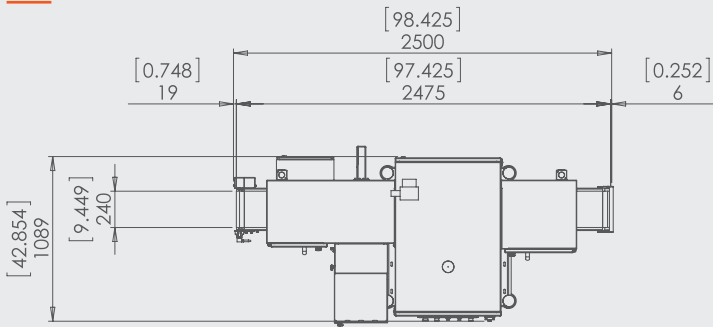
New Cambridge House
Litlington
Royston
Hertfordshire SG8 0SS

t. 01763 853399 e. sales@sapphire-inspection.com

www.sapphire-inspection.com



Specifications



G30 Specifications

Technology	Computer-controlled dual line linear array
X-Ray Generator	70kV glass computer controlled
Conveyor Speed	0-100 m/min computer controlled
Detector Array Length	Dual detectors up to 2 x 256 mm
Maximum Line Rate	4000 lines per second
Resolution	4096 grey levels per pixel
Video Display	15" colour touchscreen with real-time images and diagnostics
Calibration	Self-Calibrating during normal operation
Detection Limit	0.8 mm stainless steel, 2.0 mm glass typical
Inspection Rate	Up to 400 packs/minute
Power Requirements	110 VAC or 200-240 VAC at 500VA
Dimensions (LxWxH)	2200 x 890 x 1510 mm



**Pembroke College
Cambridge**

Corporate Partner of Pembroke College, Cambridge

Sapphire - Always at the forefront

Formed in 2006 from founding research and design parent company Cheyney, Sapphire is renowned as the innovator of low energy inspection.

With stellar designers and Cheyney technology, our Sapphire systems are quick to install, easy to use and unrivalled in the industry for speed, sensitivity and sophistication of detection.



Sapphire Inspection Systems

New Cambridge House
Litlington
Royston
Hertfordshire SG8 0SS

t. 01763 853399 e. sales@sapphire-inspection.com

www.sapphire-inspection.com

